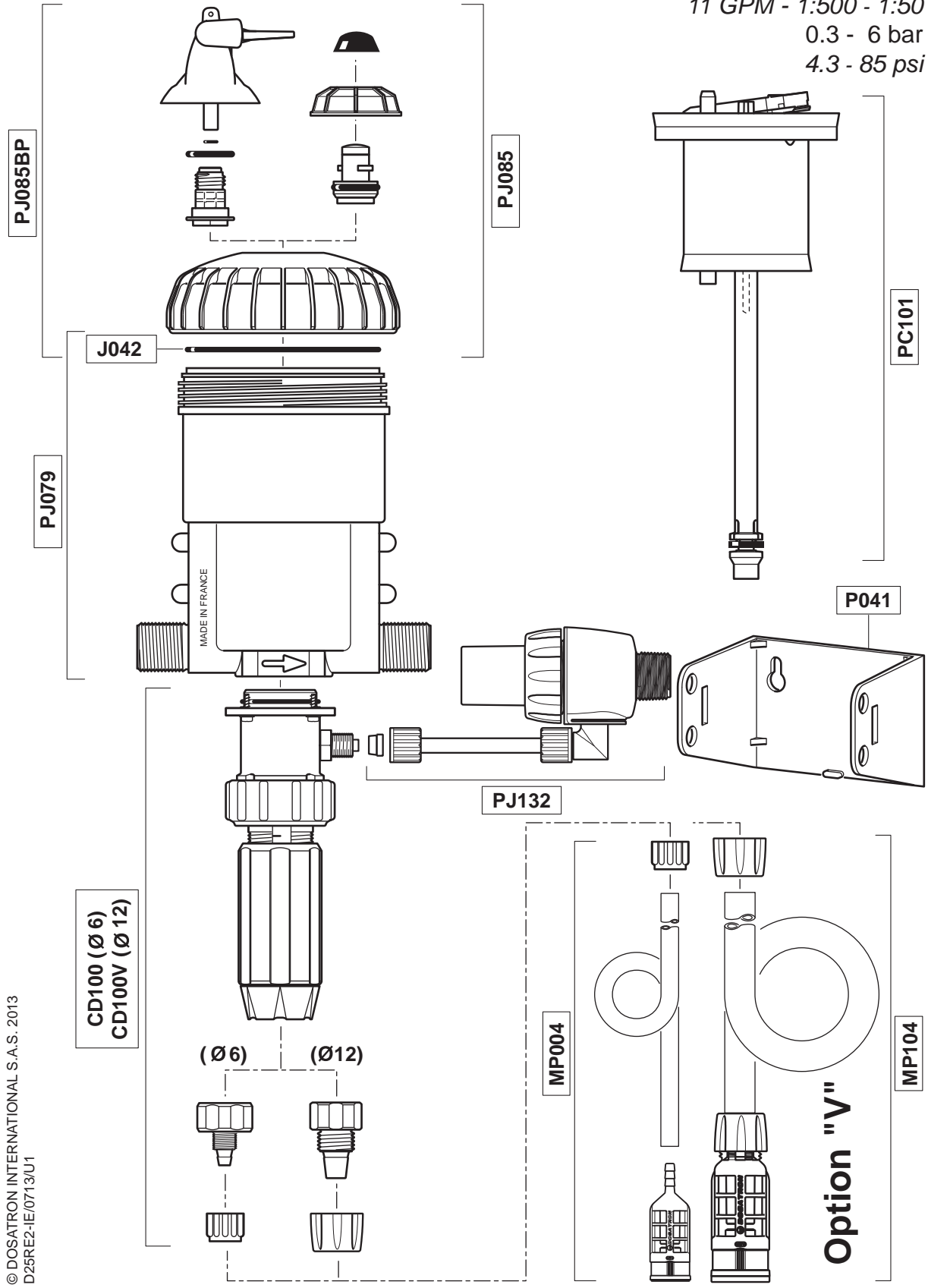


# D25RE2-IE

2.5 m<sup>3</sup>/h - 0.2 - 2%  
 11 GPM - 1:500 - 1:50  
 0.3 - 6 bar  
 4.3 - 85 psi



# D25RE2-IE

2.5 m<sup>3</sup>/h - 0.2 - 2%  
11 GPM - 1:500 - 1:50  
0.3 - 6 bar  
4.3 - 85 psi

CD100 (Ø 6)  
CD100V (Ø 12)

